



XC8163

Full-featured A4 Color Copier



Affordable in-house colour production



Productivity boosting speed, functionality and reliability



Workflow smoothing solutions and flexibility



Sensitive data stays secure



Cut costs while being environmentally responsible

This is a Class A device according to international electromagnetic emissions standards (i.e. FCC Rules, EN 55022/EN 55032, etc.). Class A products are intended for use in non-residential/non-domestic environments. Use of a Class A product in residential/domestic environments may cause interference to radio communications and require corrective measures.



Get more power and save money



Worldwide studies show that nearly 98% of all paper sales are for 8.5x11 inch letter/A4 size paper. What about your office? If you only occasionally use oversized 11x17/A3 paper, you could be saving thousands with an affordable, space-saving and fully-featured Lexmark XC8163 color laser MFP.

- ▶ Copier capability in an easy-to-use, affordable, space saving device
- ▶ Up to 60 pages per minute[†] print speed and scan up to 120 pages per minute (duplex)
- ▶ Spend less time on supplies with enormous toner capacity and shake-free science
- ▶ Broad finishing capabilities
- ▶ Lowest cost per page of any Lexmark letter A4 color device

Affordable in-house color production

Avoid the delay, shipping expense and cost of outsourcing your production printing. Get production color quality, in-house. The XC8163's print quality and speed provide a no-compromise alternative to high-priced print houses.

Color so accurate and affordable, you can do everything in-house. You can match your brand colors and have accurate color output without paying a premium. Lexmark Color Replacement combines spot color replacement and RGB replacement for precision matching of critical colors. PANTONE® calibration and embedded color sample pages help you achieve perfect color at the design stage. Lexmark's 4800 color quality is ultra-sharp even at full speed.

Complex printing made simple with the powerful 1.6 GHz quad-core print controller with up to 2GB of memory. Lemark's included print controller has all the processing power you need to handle even the most complex designs without the expensive third-party add-on print controllers.

Get the perfect finish with configuration options that include your choice of compact in-line staple finisher or finisher with multi-position stapler and hole punch.

More media choices makes your MFP multi-talented.

The XC8163 supports media as thick as 300 gsm—one of the thickest media available in cut sheet for signage or booklet covers—to tissue-thin paper such as 70 gsm, and all the vinyl, labels, cardstock, envelopes, and banners in between.

Improve your productivity with the XC8163 that keeps on running

- ▶ Toner cartridges yield up to 50,000 pages
- ▶ High input capacity of up to 4,500 sheets
- ▶ Photoconductor lasts up to 175,000 pages
- ▶ Developer and fuser for 300,000 pages
- ▶ No shake Unison™ Toner cartridges mean perfect prints to the last page without interruption

[†]Print and copy speeds measured in accordance with ISO/IEC 24735 respectively (ESAT). For more information see: www.lexmark.com/ISOspeeds.



Productivity boosting speed and smarts

Productivity stays high when large color print jobs complete quickly. As fast as many A3 devices with print speeds of up to 60 ppm, the XC8163 keeps you moving.

Minimize wait time and have your job complete before you even leave your chair with the XC8163's ability to print a single color page in as little as 7 seconds.

Digital workflows and paper documents won't slow you down. The XC8163 has a faster scanner than most light production A3/11x17 copiers. At 120 images per minute, combined with the powerful quad-core processor, your information is captured and made available to you and your network applications fast.

Work from wherever, print where you want with mobile printing from iOS, Android and Windows Mobile devices and optional wireless and NFC direct mobile printing from smartphones and tablets. The XC8163 is also Google Cloud Print, Apple Airprint and Mopria ready.

Better access for all with the tilting eTask panel that makes the interface viewable for users at all heights, drawers and paper guides that move effortlessly, and standard headphone jack and talk-back features to help users with limited vision engage with the device[§].

Robust construction puts your mind at ease knowing the XC8163's steel frame construction can withstand the physical abuse of the most challenging manufacturing environment, the continuous demands of high page use office environments, and everything in between.

Advanced scanning technology

Connect your digital systems with your unstructured content with ease. The advanced scanning technology on the XC8163 makes it fast and hassle-free.

- ▶ Remove blank pages automatically with blank page detection and removal
- ▶ Scan a stack of mixed sized originals at full speed
- ▶ Keep things fast and file sizes small with color detection that scans in mono if no color is found
- ▶ Reduce file sizes and maintain information accuracy with Mixed Raster Content (MRC) file compression
- ▶ Achieve accurate, high resolution images with Charged Coupled Device (CCD) sensors and five-piece optical glass lenses
- ▶ Waste less time restarting jobs. Page-level jam recovery picks up where the job left off



[§] Meets advanced Section 508 and European Standard EN 301 549 guidelines for accessibility.



Workflow smoothing solutions

Bridge the gap between your paper documents and software systems with the fully-configurable device-based apps available on the Lexmark XC8163. The built in productivity solutions future-proof your investment.

Standard device-based apps shipping with this series include¹:



AccuRead OCR

In less time than it takes to enter data manually, your organization can create searchable files or editable content using the included AccuRead OCR. Other vendors charge extra for this critical capability.



Scan Center

One app to send your scanned documents to multiple destinations simultaneously with optional delivery confirmations.



Forms and Favorites

Keep frequently used forms and documents easy to access and save money by eliminating preprinted forms.



Card Copy

Capture both sides of ID/credit cards, print on one side of paper and save to a network folder.



Address Book

Manage the device's internally stored user data, contacts and scan destinations from the e-Task touch screen or the embedded web server.

See the possibilities with our intuitive interface

Minimize the need for training with the familiar modern tablet-like capabilities of our eTask interface on a bright 10-inch class color touch screen. Use swipe and touch gestures to navigate the intuitive interface to access convenient features, including:

- ▶ Preview your entire print job
- ▶ Print Microsoft Office and other file types from USB or mobile devices
- ▶ Customizable shortcuts and bookmarks
- ▶ Realize your return on investment fast with true integration
- ▶ Access corporate address book for quick document routing
- ▶ Enable user tracking, accounting and permissions for cost and print management

¹ Additional device-based apps may ship with the device and additional apps can be added.

XC8163



1. Intuitive color touch screen with new eTask interface

The bright 10-inch screen uses familiar swipe and touch gestures, minimizing training time to get users up to speed.



Up to 120 ipm

2. Advanced scanner with duplex automatic document feeder (ADF)

Save time by scanning both sides of your document in one pass with robust color scanning capabilities and an input capacity of up to 150 sheet.



3. Direct printing

Microsoft Office files and other document and image types print right from flash drives. You can even preview jobs on the eTask screen prior to printing.



4. Finishing options

Choose from a compact staple finishing option or professional finisher with multi-position stapling and hole punch to further enhance productivity.



5. Unison™ Toner system with long-life supplies

Unison™ Toner delivers consistently outstanding image quality plus long-life system reliability and amazing sustainability in a high-yield, no-shake design.



6. Software solutions

Combine device-based capabilities with additionally purchased Lexmark fleet management tools and your existing software and technical infrastructure to form the Lexmark smart MFP ecosystem. Its adaptability future-proofs your investment in Lexmark color laser technology.



7. Expandable input

Print on multiple paper types and boost input capacity to 4,500 sheets.

Sensitive data stays secure

Authorize and authenticate who and what gets access to your network along with remote monitoring and management.

Protect your device on all fronts with port and connection filtering to limit active access and encryption and wiping of the optional hard disk to secure sensitive print job data. Digital signatures on firmware updates keep hackers at bay.

Authentication to fit your protocols from badge readers, PIN or passwords. Once users are authenticated, the connection to your network is fully secure. If user authentication fails, the eTask panel shuts down to protect your device settings.

Put a stop to data leaks on the optional hard disk with 256-bit AES encryption and encryption keys stored in the MFP's memory, not the hard disk. Data is almost impossible to read if the hard drive is removed.

Cut costs while being environmentally responsible

Save power and keep up to speed with multiple power saving modes. Sleep mode uses less than 3.5 watts between jobs. Hibernate mode uses less than half a watt during scheduled on/off periods. Proximity sensors wake your MFP when you approach or place documents on the scanner so it is ready to go when you are.

Save paper and toner with no hassles standard double-sided printing, printing images a lighter shade with the ColorSaver feature that still leaves text dark and readable and the Eco Copy solution are just some of the eco-friendly options.

Smarter toner saves energy and more. Lexmark Unison™ Toner fuses at a lower temperature that requires less energy. Through our free and easy Lexmark Cartridge Collection Program (LCCP) ship empty cartridges back to our recycling centers for sustainable recycling.



Lexmark Sustainability

For Lexmark, commitment to the environment isn't a marketing tagline, it's a core value backed up by real action and results. We are forward thinking, innovative, and driven to sustain a healthy planet for generations to come. For our customers and partners we bring this passion, our leading technology and a deep understanding of industry-specific business processes to continuously improve their efficiency as well as our own.

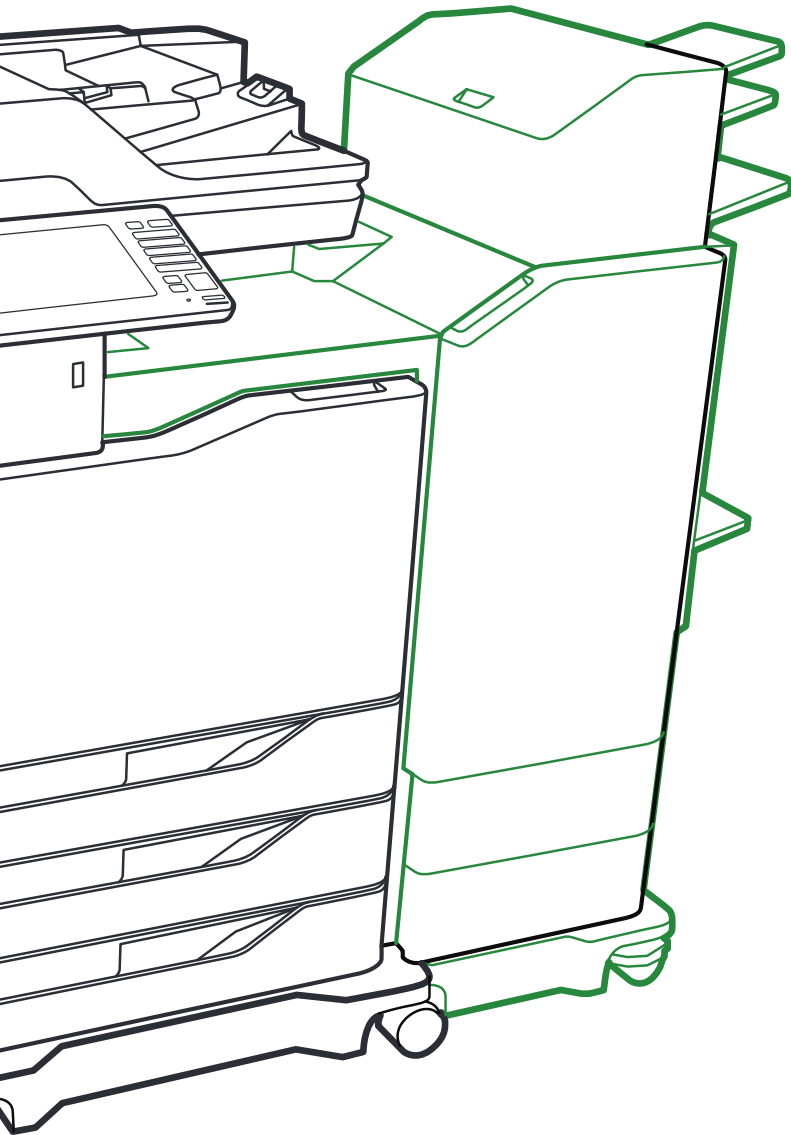
Lexmark products meet globally recognized environmental standards.**

- ▶ ENERGY STAR®
- ▶ Blue Angel
- ▶ EPEAT®

For more information on Lexmark's sustainability initiatives, visit csr.lexmark.com

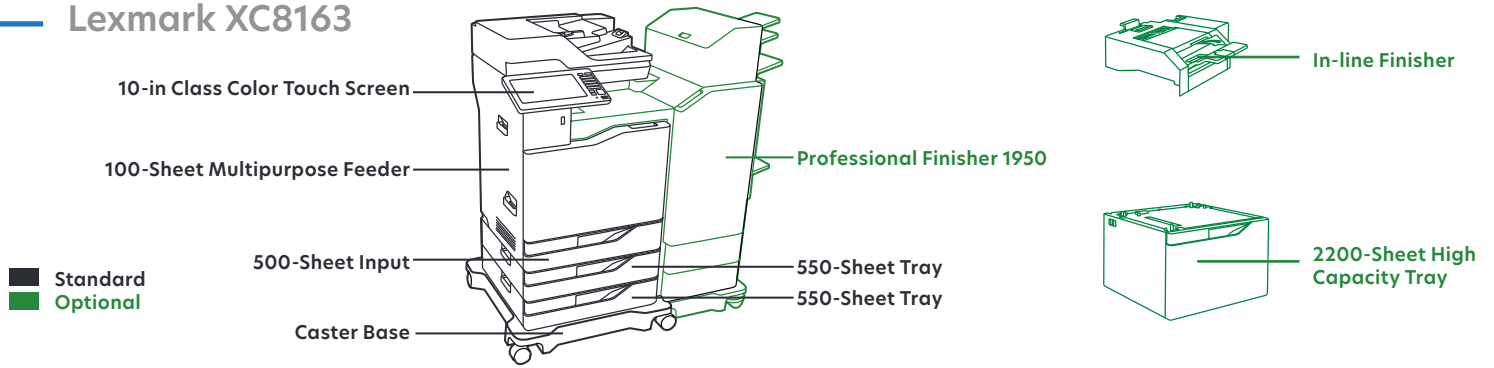
**ENERGY STAR for Imaging Equipment (EU RoHS and Section 4.3.1.1 of IEEE 1680.2-2.)

Ordering information



P/N	Laser Toner/Print Cartridge
24B6515	Black Toner Cartridge
24B6512	Cyan Toner Cartridge
24B6513	Magenta Toner Cartridge
24B6514	Yellow Toner Cartridge
72K0P00	Photoconductor 1-Pack
72K0Q00	Photoconductor 3-Pack
72K0DK0	Black Return Program Developer Unit
72K0DV0	Color (CMY) Return Program Developer Kit
72K0DC0	Cyan Return Program Developer Unit
72K0DM0	Magenta Return Program Developer Unit
72K0DY0	Yellow Return Program Developer Unit
72K0W00	Waste Toner Bottle
25A0013	Staple Cartridges (3-pack)
72K0FK0	Black Return Program Developer and Photoconductor Unit Pack
72K0FV0	Color (CMY) Return Program Developer Kit and Photoconductors Pack
P/N	Paper Handling
21K0567	550-Sheet Tray
21K0237	2200-Sheet Tray
42K2300	Inline Staple Finisher
42K1597	Multi-position Staple Punch Finisher Tall-LV
42K1267	Multi-position Staple Punch Finisher LV
42K1598	Multi-position Staple Punch Finisher Tall-HV
42K1268	Multi-position Staple Punch Finisher HV
P/N	Memory Options
57X9022	2GB x64 DDR3 RAM
57X9801	256MB Flash Memory Card
57X9814	Korean Font Card
57X9815	Japanese Font Card
57X9812	S. Chinese Font Card
57X9810	T. Chinese Font Card
P/N	Application Solutions
21K0127	Forms and Bar Code Card
21K0128	Card for IPDS
21K0129	Card for PRESCRIBE
57X0300	Front Contact Authentication Module
57X0301	Front Contactless Authentication Module
P/N	Connectivity
1021294	2-meter USB cable
27X6510	MarkNet N8370 802.11 a/b/g/n/ac Wireless Print Server
SPD0001	Surge Protective Device, 110-120V
SPD0002	Surge Protective Device, 220-240V
57X7025	Voice Guidance Kit
57X7020	English Keyboard Kit
57X7021	French Keyboard Kit
57X7023	German Keyboard Kit
57X7022	Italy Keyboard Kit
57X7024	Spain Keyboard Kit
P/N	User Replaceable Parts
41X0246	Fuser 110-120V
41X0247	Fuser 220-240V
41X0248	Fuser 100V
41X0245	Transfer Belt
41X0249	Separation Roller
41X0154	Transfer Roller
41X0993	Media Pick Roller
41X0360	ADF Separation Roller
41X0358	ADF Media Pick Roller
41X0359	ADF Feed Belt
41X0xxx	Fuser Maintenance Letter
41X0xxx	Fuser Maintenance A4
41X0xxx	Roller Maintenance Kit
41X0xxx	ADF Maintenance Kit

Lexmark XC8163



Product specifications	Lexmark XC8163
Printing	
Display	Lexmark e-Task 10-inch (25 cm) class color touch screen
Print Speed: Up to ⁶	Black: 60 ppm / Color: 60 ppm
Time to First Page: As fast as	Black: 6.5 seconds / Color: 6.5 seconds
Print Resolution	Black: 1200 x 1200 dpi, 4800 Color Quality (2400 x 600 dpi) / Color: 1200 x 1200 dpi, 4800 Color Quality (2400 x 600 dpi)
Memory	Standard: 2048 MB / Maximum: 4096 MB
Hard Disk	Included in configuration
Recommended Monthly Page Volume ²	5000 - 50000 pages
Maximum Monthly Duty Cycle: Up to ³	350000 pages per month
Copying	
Copy Speed: Up to ⁶	Black: 60 cpm / Color: 60 cpm
Time to First Copy: As fast as	Black: 6.0 seconds / Color: 7.0 seconds
Scanning	
Scanner Type / ADF Scan	Flatbed scanner with ADF / DADF (single pass Duplex)
A4/Ltr Duplex Scan Speed: Up to	Black: 114 / 120 sides per minute / Color: 114 / 120 sides per minute
A4/Ltr Simplex Scan Speed: Up to	Black: 57 / 60 sides per minute / Color: 57 / 60 sides per minute
ADF Paper Input Capacity: Up to	150 pages 20 lb or 75 gsm bond
Faxing	
Modem Speed	ITU T.30, V.34 Half-Duplex, 33.6 Kbps
Supplies⁷	
Laser Cartridge Yields (up to) ¹	50,000-page Black and Color (CMYK) Ultra High Yield Cartridges
Photoconductor Estimated Yield: Up to ²	175000 pages, based on 3 average letter/A4-size pages per print job and ~ 5% coverage
Developer Unit(s) Estimated Yield: Up to ⁵	300000 pages, based on 3 average letter/A4-size pages per print job and ~ 5% coverage
Cartridge(s) Shipping with Product ⁸	17,000-page Color (CMY) High Yield Return Program Toner Cartridges, 50,000-page Black Ultra High Yield Return Program Cartridge
Paper Handling	
Included Paper Handling	550-Sheet Input, 100-Sheet Multipurpose Feeder, Integrated Duplex, 2 x 550-Sheet Tray, 500-Sheet Output Bin
Optional Paper Handling	550-Sheet Tray, Staple Punch Finisher, Inline Stapler, 2200-Sheet Tray
Paper Input Capacity: Up to	Standard: 1750 pages 20 lb or 75 gsm bond / Maximum: 4500 pages 20 lb or 75 gsm bond
Paper Output Capacity: Up to	Standard: 500 pages 20 lb or 75 gsm bond / Maximum: 1950 pages 20 lb or 75 gsm bond
Media Types Supported	Card Stock, Dual Web Labels, Envelopes, Labels, Plain Paper, Polyester Labels, Vinyl Labels, Refer to the Card Stock & Label Guide., Banner Paper
Media Sizes Supported	10 Envelope, 7 3/4 Envelope, 9 Envelope, A4, A5, B5 Envelope, C4 Envelope, C5 Envelope, DL Envelope, Index Card, Executive, Folio, JIS-B5, Legal, Letter, 4 x 6", Statement, Universal, Oficio, A6
General Information⁴	
Standard Ports	One Internal Card Slot, USB 2.0 Specification Hi-Speed Certified (Type B), Gigabit Ethernet (10/100/1000), Two Rear USB 2.0 Specification Hi-Speed Certified ports (Type A), Two Front USB 2.0 Specification Hi-Speed Certified port (Type A)
Optional Network Ports	Internal MarkNet N8360 802.11b/g/n Wireless, NFC
Noise Level: Operating	Print: 56 dBA / Copy: 59 dBA / Scan: 55 dBA
Specified Operating Environment	Humidity: 15 to 80% Relative Humidity, Temperature: 10 to 32°C (50 to 90°F), Altitude: 0 - 2896 Meters (9,500 Feet)
Size (in. - H x W x D) / Weight (lb.)	45.8 x 22 x 23.15 in. / 288.9 lb.

¹Average yield at approximately 5% print coverage per colour. ²"Recommended Monthly Page Volume" is a range of pages that helps customers evaluate Lexmark's product offerings based on the average number of pages customers plan to print on the device each month. Lexmark recommends that the number of pages per month be within the stated range for optimum device performance, based on factors including: supplies replacement intervals, paper loading intervals, speed, and typical customer usage. ³"Maximum Monthly Duty Cycle" is defined as the maximum number of pages a device could deliver in a month using a multishift operation. This metric provides a comparison of robustness in relation to other Lexmark printers and MFPs. ⁴Printers are sold subject to certain license/agreement conditions. See www.lexmark.com/printerlicense for details. ⁵Actual Yield may vary based on other factors such as device speed, paper size and feed orientation, toner coverage, tray source, percentage of black-only printing and average print job complexity. ⁶Print and copy speeds measured in accordance with ISO/IEC 24734 and ISO/IEC 24735 respectively (ESAT). For more information see: www.lexmark.com/ISOspeeds. ⁷Product functions only with replacement cartridges designed for use in a specific geographical region. See www.lexmark.com/regions for more details. ⁸Black - Average yield at approximately 5% print coverage. Cyan, Magenta and Yellow - Average continuous composite CMY declared cartridge yield up to this number of standard pages in accordance with ISO/IEC 19798.

This is a Class A device according to international electromagnetic emissions standards (i.e. FCC Rules, EN 55022/EN 55032, etc.). Class A products are intended for use in non-residential/non-domestic environments. Use of a Class A product in residential/domestic environments may cause interference to radio communications and require corrective measures.

© 2020 Lexmark. All rights reserved. Lexmark, the Lexmark logo and Unison are trademarks of Lexmark International, Inc., registered in the United States and/or other countries. Apple and AirPrint are trademarks of Apple Inc., registered in the U.S. and other countries. Google Cloud Print is a trademark of Google, LLC. Mopria®, the Mopria® Logo, and the Mopria Alliance™ word mark and logo are registered and/or unregistered trademarks and service marks of Mopria Alliance, Inc. in the United States and other countries. Unauthorized use is strictly prohibited. ENERGY STAR and the ENERGY STAR mark are registered trademarks owned by the U.S. Environmental Protection Agency. EPEAT® is a trademark of the Green Electronics Council in the United States and other countries. All other trademarks are the property of their respective owners. This product includes software developed by the OpenSSL Project for use in the Open SSL Toolkit (<http://www.openssl.org/>).